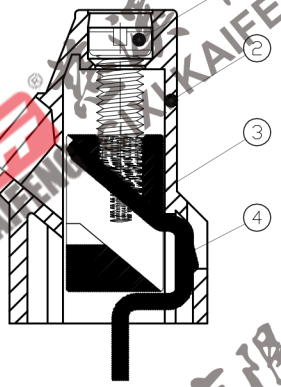
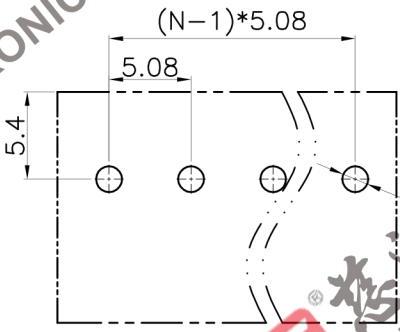
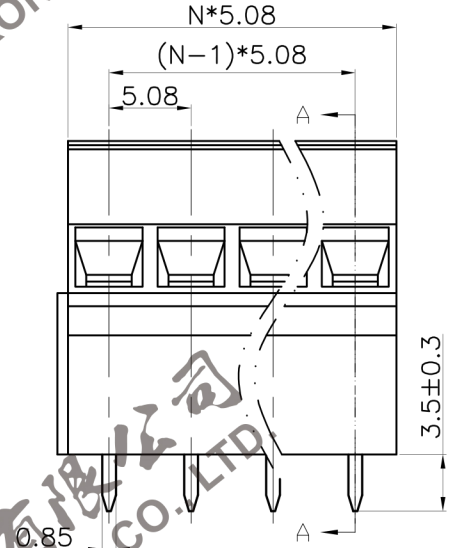
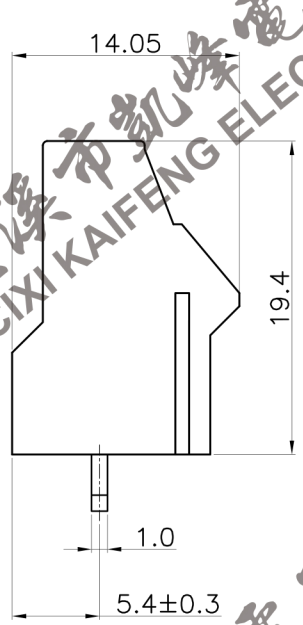
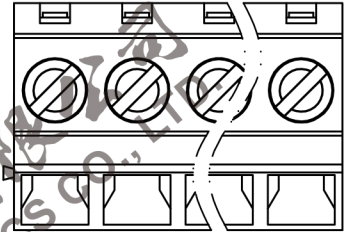


REV.	DESCRIPTION	DATE	DRAFTER	APPROVER
V1.0	DWG.REL	2023.7.22	ZHANG	JIN

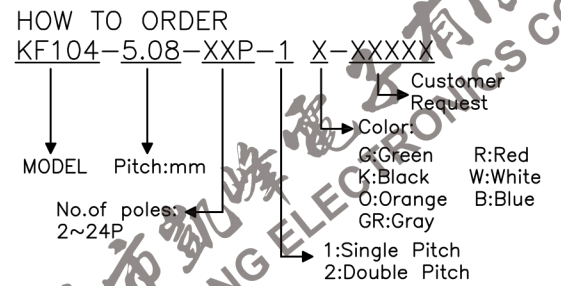


- Material
- ①Screw : M3.0 steel, Zinc plated, slot type
- ②Housing : PA66, UL94V-0
- ③Clamp : Copper alloy, Ni plated
- ④Pin header : Copper alloy, Tin plated

- Electrical
- UL IEC
- Rated voltage : 300V 250V
- Rated current : 10A 24A
- Contact resistance : 20mΩ(Max)
- Insulation resistance: 500MΩ/DC500V
- Withstanding Voltage : AC2000V/1min
- Wire range: 24-14AWG 0.2-2.5mm²

- Mechanical
- Operating temperature: -40°C ~ +105°C
- Soldering temperature: 250°C ± 5/5sec
- Torque: 0.5N.m (4.43Lb.in)
- Strip length: 6-7mm

• Conform to REACH and RoHS



P.C.B. LAYOUT

Pitch range		Nominal dimension range							PROJECTION	TITLE
>0	>6	>0	>30	>60	>100			UNIT	KF104-5.08-XXP-1X	
6	10	30	60	100	150	>150	0.1/10	mm		
±0.15	±0.20	±0.30	±0.30	±0.50	±0.70	±1.00	±1.30	±2'		
DRAWING TYPE		CUSTOMER DRAWING								
SCALE		1:1	SHEET		1 OF 1					
DRAWING NO.		W15000352								

DF 慈溪市凯峰电子有限公司
CIXI KAIFENG ELECTRONICS CO.,LTD