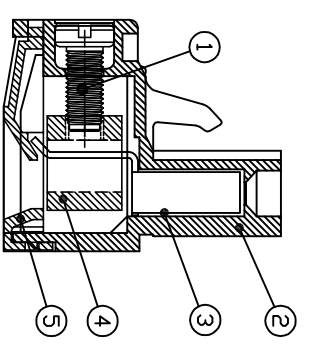
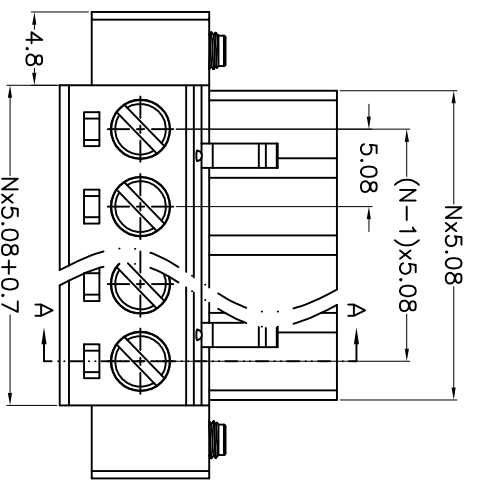
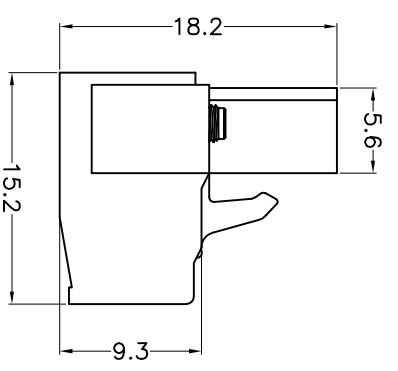
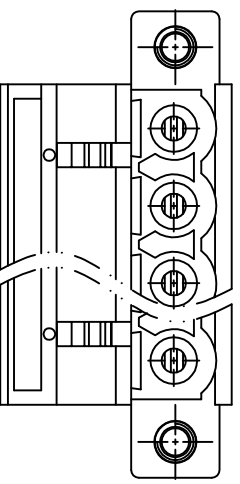
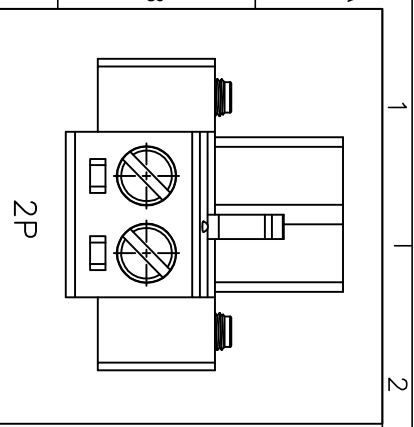
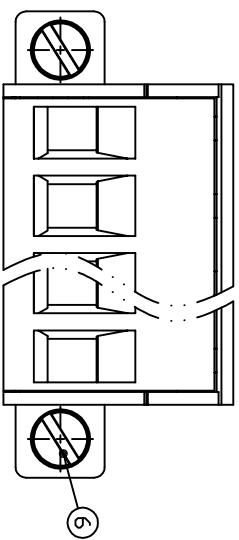


REV.	DESCRIPTION	DATE	DRAFTER	APPROVER
V1.0	DWG.REL	2024.9.22	ZHANG	JIN



SECTION A-A

- Material
 - ①Screw : M3.0 steel/Zinc plated, "--" slot type
 - ②Housing : PA66, UL94V-0
 - ③Contact : Copper alloy, 1in plated
 - ④Clamp : Copper alloy, Ni plated
 - ⑤Cover : PA66, UL94V-0
- Screw : M2.5 steel/Zinc plated, "--" slot type
- Electrical
 - UL IEC
 - Rated voltage : 300V 320V
 - Rated current : 15A 20A
 - Contact resistance : 20mΩ(Max)
 - Insulation resistance : 500MΩ/DC500V
 - Withstanding Voltage : AC2000V/1min
 - Wire range: 28-12AWG 2.5mm²
- Mechanical
 - Operating temperature: -40°C to +105°C
 - Soldering temperature: 250°C ±5/5sec
 - Torque: 0.5N.m (4.43lb.in)
 - Strip length: 7mm
- Conform to REACH and RoHS



Pitch range	Nominal dimension range	PROJECTION	UNIT	TITLE
>0	>10	0.1/10	mm	KF222-5.08-XXP-1XM
~6	~10			
~10	~24			
~24	~30			
±0.15	±0.20			
	±0.30			
	±0.50			
	±0.70			
	±1.00			
	±1.30			
	±2*			

DRAWING TYPE	SCALE	SHEET	OF
CUSTOMER DRAWING	1:1	1	1

DRAWING NO.	W10001582

MODEL	Color	Request
G:Green	R:Red	
K:Black	W:White	
O:Orange	B:Blue	
GR:Gray		

HOW TO ORDER
 KF222-5.08-XXP-1 X-XXXXX
 MODEL Pitch:mm
 No.of poles: 2~24P
 Color: G:Green R:Red K:Black W:White O:Orange B:Blue GR:Gray
 Request: 1:Single Pitch 2:Double Pitch

DF 慈溪市凯峰电子有限公司
 CIXI KAIFENG ELECTRONICS CO.,LTD