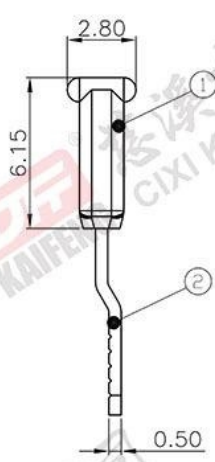
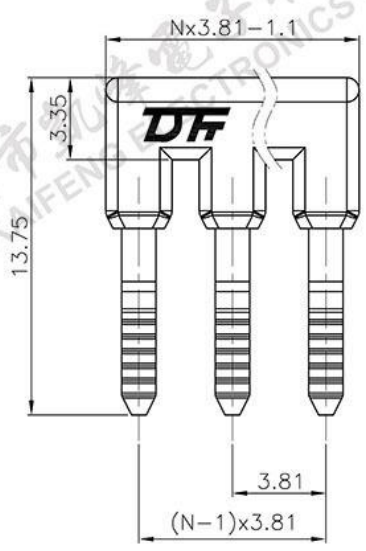
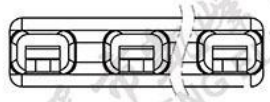
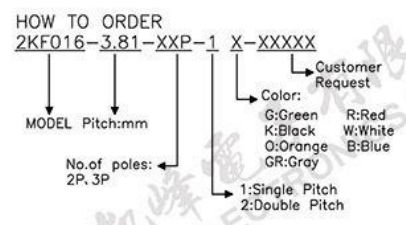


REV.	DESCRIPTION	DATE	DRAFTER	APPROVER
V1.0	DWG.REL	2023.8.3	ZHANG	JIN



- Material
 - ⊙Housing : PA66, UL94V-0
 - ⊙Metal part : Copper alloy, Tin plated
- Electrical
 - IEC
 - Rated voltage : 250V
 - Rated current : 7A
- Mechanical
 - Operating temperature: -40℃~+105℃
- Conform to REACH and RoHS



Pitch range	Nominal dimension range	PROJECTION	UNIT	TITLE
>0	>0	0.1/10	mm	2KF016-3.81-XXP-1X
~6	~30		A4	SERIES 2KF016
±0.15	±0.70			
±0.20	±1.00			
±0.30	±1.30			
±0.50	±1.50			
±0.70	±2.00			
±1.00	±2.50			
±1.30	±3.00			
±2.00	±4.00			
DRAWING TYPE		CUSTOMER DRAWING		
SCALE		1:1 SHEET 1 OF 1		
DRAWING NO.		W10005052		

DF 慈溪市凯峰电子有限公司
 CIXI KAIFENG ELECTRONICS CO.,LTD