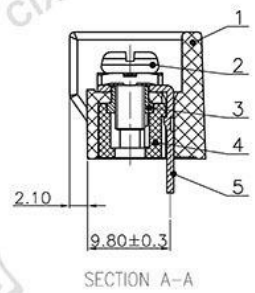
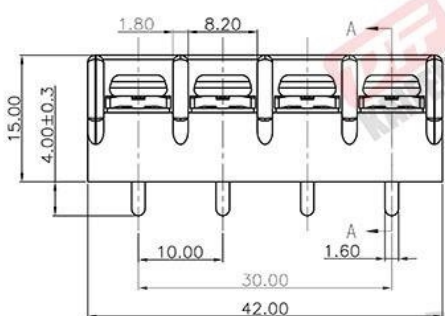
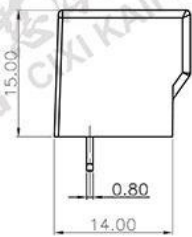
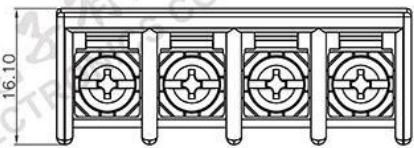
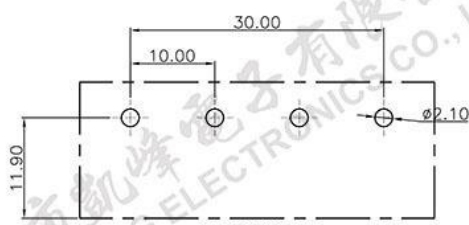


REV.	DESCRIPTION	DATE	DRAFTER	APPROVER
V1.0	DWG.REL	2023.8.10	ZZM	JIN



- Material
 - ØHousing : PBT,UL94V-0
 - ØScrew : M3.5 Steel, Zinc plated
 - ØNut: Steel, Zinc plated
 - ØCover : PBT,UL94V-0
 - ØTerminal : Copper alloy, Tin plated
- Electrical
 - UL IEC
 - Rated voltage : 300V 300V
 - Rated current : 10A 17.5A
 - Insulation resistance: 500MΩ/DC500V
 - Withstanding Voltage : AC3000V/1min
- Mechanical
 - Operating temperature: -40°C ~ +120°C
 - Torque : 2.5N.m(22.1Lb.in)
 - Wire range : 22-16AWG ; 0.5-1.5mm²
- Conform to REACH and RoHS



HOW TO ORDER
 2KF023-10.0-4P-1 X-XXXXX

MODEL Pitch:mm
 No.of poles: 4P

Color:
 C:Green R:Red
 K:Black W:White
 O:Orange B:Blue
 GR:Gray

1:Single Pitch
 2:Double Pitch

Pitch range	Nominal dimension range	PROJECTION	TITLE
>0	>0	0.1/10	2KF023-10.0-4P-1K
~6	>30		UNIT mm
~10	>60		SHEET SIZE A4
~24	>100		SERIES 2KF023
~30	>150		
±0.15	±1.30	±2°	
±0.20	±0.50		
±0.30	±0.70		
±0.50	±1.00		
±1.00	±1.30		
±1.30	±1.30		
±2°	±2°		
DRAWING TYPE CUSTOMER DRAWING		慈溪市凯峰电子有限公司 CIXI KAIFENG ELECTRONICS CO.,LTD	
SCALE 1:1 SHEET 1 OF 1			
DRAWING NO. W12005062			