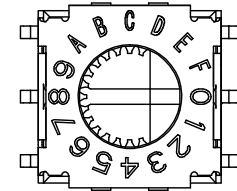
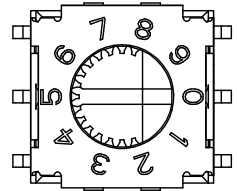
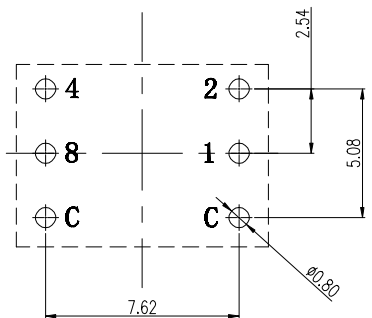
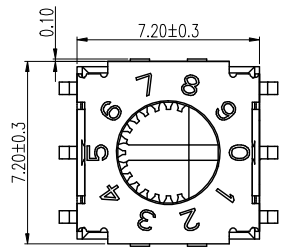


| | | | | |
|------|-----|---------|-------|------------|
| REV | ECN | CONTENT | CHECK | DATE |
| V0.0 | | 初版发行 | ZY | 2019.10.11 |



10位

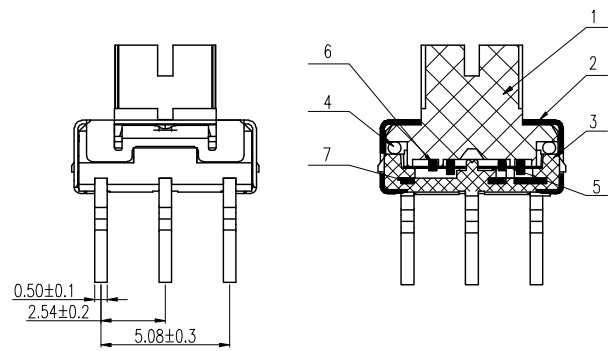
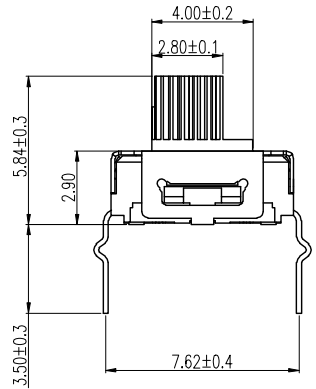
16位

技术要求:

- 额定电流: 100mA, 5VDC (开与关切换时)
100mA, 50VDC (开与关不切换时)
- 接触阻抗: ≤100mΩ (初始), ≤200mΩ (寿命测试后)
- 绝缘电阻: ≥100MΩ / 100VDC
- 耐电压: 250VAC / 1minute
- 拨动力: 500gf. cm max
- 机械寿命: ≥10000 Steps
- 使用温度: -40℃ ~ +85℃
- 存储温度: -40℃ ~ +85℃
- 符合RoHS要求

焊接说明:

手工焊接: 30W电烙铁, 320±5℃, 3S max
波峰焊接: 260±5℃, 5S max
焊接前保持开关在“OFF”状态



| | | | | | |
|---|------|---|---|------|---------|
| 7 | PIN针 | \ | 1 | 铜合金 | 镀金 |
| 6 | 弹片 | \ | 1 | 铜合金 | 镀金 |
| 5 | 防尘片 | \ | 1 | 不锈钢 | \ |
| 4 | 密封圈 | \ | 1 | 硅胶 | \ |
| 3 | 底座 | \ | 1 | 工程塑料 | UL94V-0 |
| 2 | 外壳 | \ | 1 | 不锈钢 | \ |
| 1 | 旋钮 | \ | 1 | 工程塑料 | UL94V-0 |

| 序号 | 零件名称 | 零件编码 | 数量 | 材质 | 备注 |
|--|--------|--------|----------|---------------|----------------|
| General tolerance in mm | | | | | |
| over 0.5 | over 3 | over 6 | over 30 | over 120 | over 400 |
| to 3 | to 6 | to 30 | to 120 | to 400 | to 1000 |
| ±0.15 | ±0.2 | ±0.25 | ±0.3 | ±0.5 | ±0.8 |
| radii and chamfers | | | | | |
| over 0.5 | over 3 | over 6 | up to 10 | over 10 to 50 | over 50 to 150 |
| to 3 | to 6 | to 30 | to 10 | to 120 | to 150 |
| ±0.2 | ±0.5 | ±1.0 | ±1° | ±30° | ±20° |
| shorter angle side = — // | | | | | |
| APP. DATE NAME 6KF002A-3SXXR3-0 | | | | | |
| CHK. DATE DWGNO. W21000031 | | | | | |
| UNITS MM SCALE 1:1 SHEET 1/1 PROJECTION-METHOD | | | | | |

| ○ ON | ● OFF | | | | |
|---------|----------|------|---|---|---|
| TYPE | POSITION | CODE | | | |
| | 16C | 1 | 2 | 4 | 8 |
| 10 STEP | 0 | F | ● | ● | ● |
| | 1 | E | ○ | ● | ● |
| | 2 | D | ○ | ○ | ● |
| | 3 | C | ○ | ○ | ○ |
| | 4 | B | ○ | ○ | ○ |
| | 5 | A | ○ | ○ | ○ |
| | 6 | 9 | ○ | ○ | ○ |
| | 7 | 8 | ○ | ○ | ○ |
| | 8 | 7 | ○ | ○ | ○ |
| | 9 | 6 | ○ | ○ | ○ |
| 16 STEP | A | 5 | ○ | ○ | ○ |
| | B | 4 | ○ | ○ | ○ |
| | C | 3 | ○ | ○ | ○ |
| | D | 2 | ○ | ○ | ○ |
| | E | 1 | ○ | ○ | ○ |
| | F | 0 | ○ | ○ | ○ |

HOW TO ORDER:
6KF002 A-3 S X X R 3-0-X X X X

A: 直插式
S: 密封罩 (Gray)
Y: Yellow
R: 标识代码
C: 反向打印

客户需求
O: 裸装
T: 载带包装
3: 3.0mm 高

引脚类型:
4: 4X1
3: 3X3
2: 3X2

10: 10 位
16: 16 位