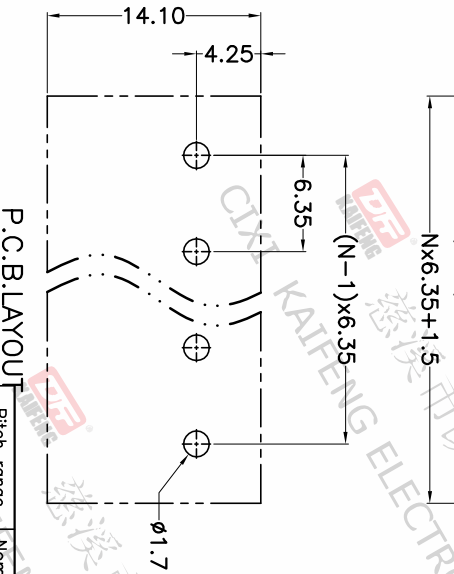
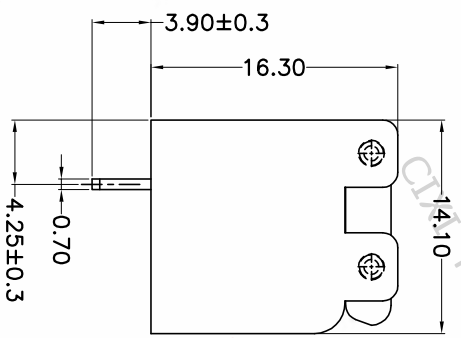
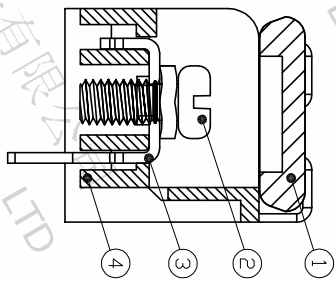
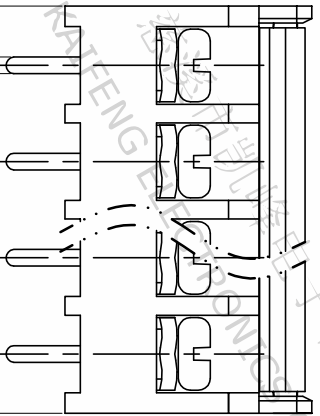
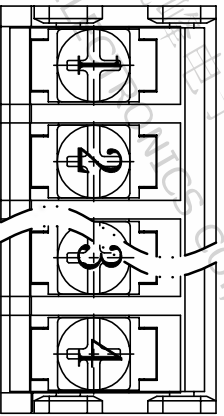


REV.	DESCRIPTION	DATE	DRAFTER	APPROVER
A1	DWG.REL	2020.05.18	LiuZH	JIN



P.C.B. LAYOUT

Pitch range	Nominal dimension range	PROJECTION
>0	>0	0.1/10
~6	~30	≤
~10	~60	±2°
~24	~100	
~30	~150	
±0.15	±0.30	
±0.20	±0.50	
±0.30	±0.70	
±0.50	±1.00	
±1.00	±1.30	

DRAWING TYPE	CUSTOMER DRAWING
SCALE	1:1
SHEET	1 OF 1
DRAWING NO.	W12000062

- Material  
 @Cover : PC  
 @Screws : M3.0 steel, Ni plated  
 @Terminal : Brass, Tin plated  
 @Housing : PA66, UL94V-0

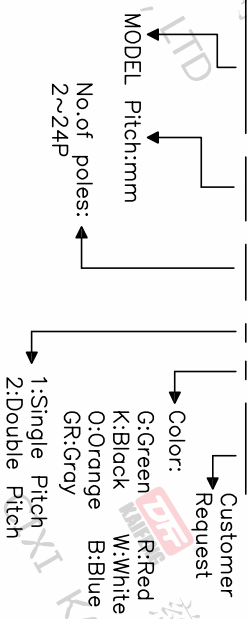
- Electrical  
 UL  
 IEC  
 Rated voltage : 300V 250V  
 Rated current : 10A 17.5A  
 Contact resistance : 20mΩ(Max)  
 Insulation resistance: 500MΩ/DC500V  
 Withstanding Voltage : AC2000V/1min  
 Wire range: 22-16AWG 1.5mm<sup>2</sup>

- Mechanical  
 Operating temperature: -40°C ~ +105°C  
 Soldering temperature: 250°C ±5/5sec  
 Torque: 0.5N.m (4.43lb.in)

• RoHS compliance

HOW TO ORDER

HB-635M-6.35-XXP-1 X-XXXXX



PROJECTION	TITLE
UNIT	HB-635M-6.35-XXP-1X
SHEET SIZE	A4
SERIES	HB-635M

**DF** 慈溪市凯峰电子有限公司  
 CIXI KAIFENG ELECTRONICS CO.,LTD