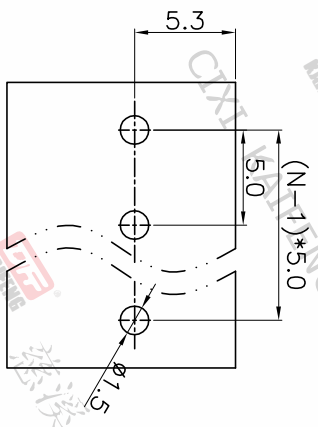
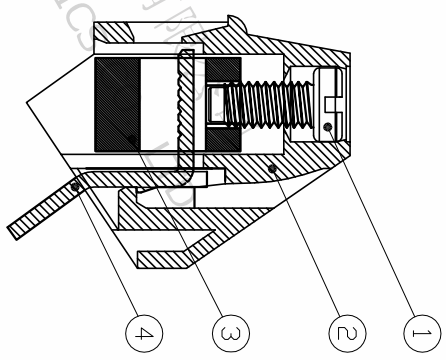
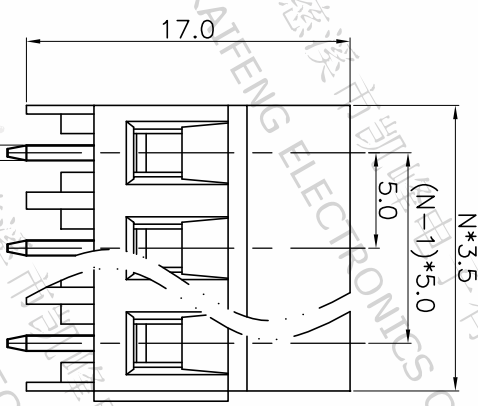
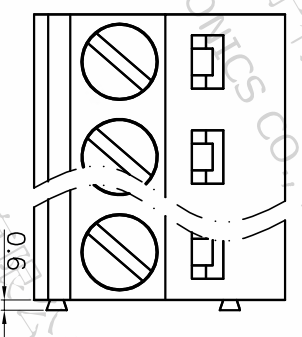


REV.	DESCRIPTION	DATE	DRAFTER	APPROVER
A1	DWG.REL	2020.05.18	DENG	JIN



P.C.B.LAYOUT

Pitch range	Nominal dimension range	PROJECTION
>0	>30	0.1/10
~6	~60	0.1/10
~10	~100	0.1/10
~24	~150	0.1/10
±0.15	±0.30	±2°
±0.20	±0.50	±2°
±0.30	±0.70	±2°
±0.50	±1.00	±2°
±1.00	±1.30	±2°

DRAWING TYPE	CUSTOMER DRAWING	SHEET	1 OF 1
SCALE	1:1	SHEET	1 OF 1
DRAWING NO.	W15000332	SHEET SIZE	A4
TITLE	KF103-5.0-XXP-1X		
SERIES	KF103		

- Material
 - ①Screws : M2.5 steel, Zinc plated,
 - ②"_"slot type
 - ③Housing : PA66, UL94V-0
 - ④Clamp : Copper alloy, Ni plated
 - ⑤Pin header : Copper alloy, Tin plated
- Electrical
 - UL IEC
 - Rated voltage : 300V 250V
 - Rated current : 10A 24A
 - Contact resistance : 20mΩ(Max)
 - Insulation resistance: 500MΩ/DC500V
 - Withstanding Voltage : AC2000V/1min
 - Wire range: 24-14AWG 2.5mm²
- Mechanical
 - Operating temperature: -40°C ~ +105°C
 - Soldering temperature: 250°C ±5/5sec
 - Torque: 0.4N.m (3.54Lb.in)
 - Strip length: 6-7mm
- RoHS compliance

HOW TO ORDER

