

REV.	DESCRIPTION	DATE	DRAFTER	APPROVER
A1	DWG.REL	2020.05.28	DENG	JIN

- Material
 - ØHousing : PA66, UL94V-0
 - ØCover : PA66, UL94V-0
 - ØReed : Stainless steel
 - ØPin header : Copper alloy, Tin plated

- Electrical

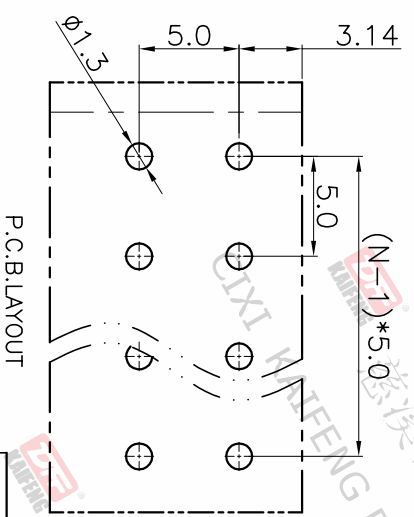
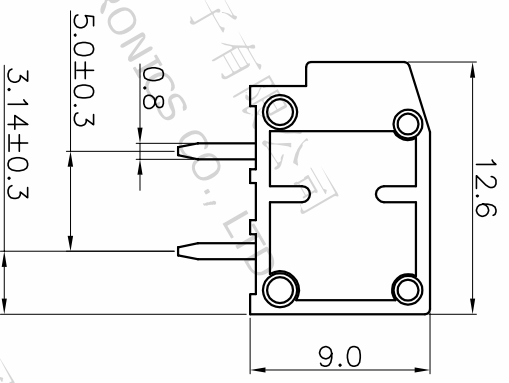
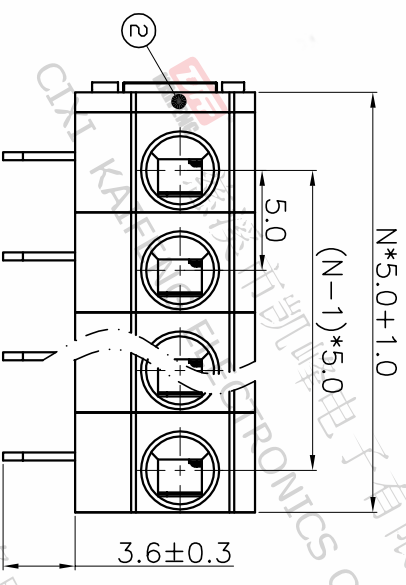
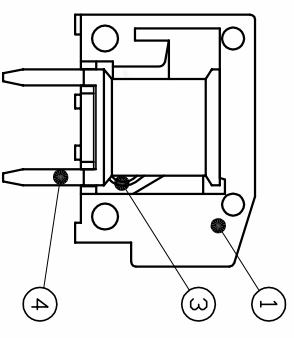
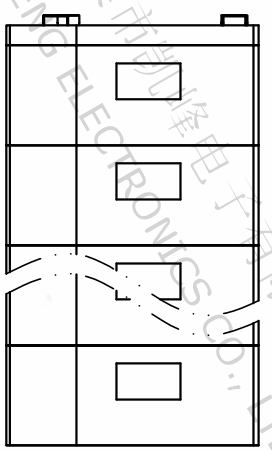
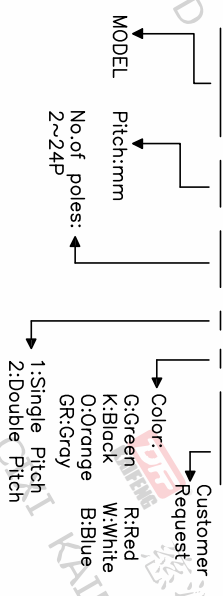
UL	IEC
Rated voltage : 300V	250V
Rated current : 5A	15A

- Mechanical
 - Operating temperature: -40°C~+105°C
 - Soldering temperature: 250°C±5/5sec
 - Strip length: 9-10mm
 - Wire range: 20-18AWG 1.5mm²

• RoHS compliance

HOW TO ORDER

KF124A-5.0-XXP-1 X-XXXXX



P.C.B.LAYOUT

Pitch range	Nominal dimension range	PROJECTION
>0	>0	0.1/10
~6	~30	~
~10	~60	~
~24	~100	~
~30	~150	~
±0.15	±0.30	±2°
±0.20	±0.50	±2°
±0.30	±0.70	±2°
±1.00	±1.30	±2°

DRAWING TYPE	CUSTOMER DRAWING
SCALE	1:1
SHEET	1 OF 1
DRAWING NO.	W15000292

PROJECTION	UNIT	TITLE
mm	A4	KF124A-5.0-XXP-1X
SHEET SIZE	A4	SERIES KF124A

DF 慈溪市凯峰电子有限公司
CIXI KAIFENG ELECTRONICS CO.,LTD