

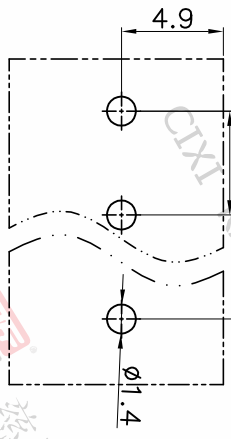
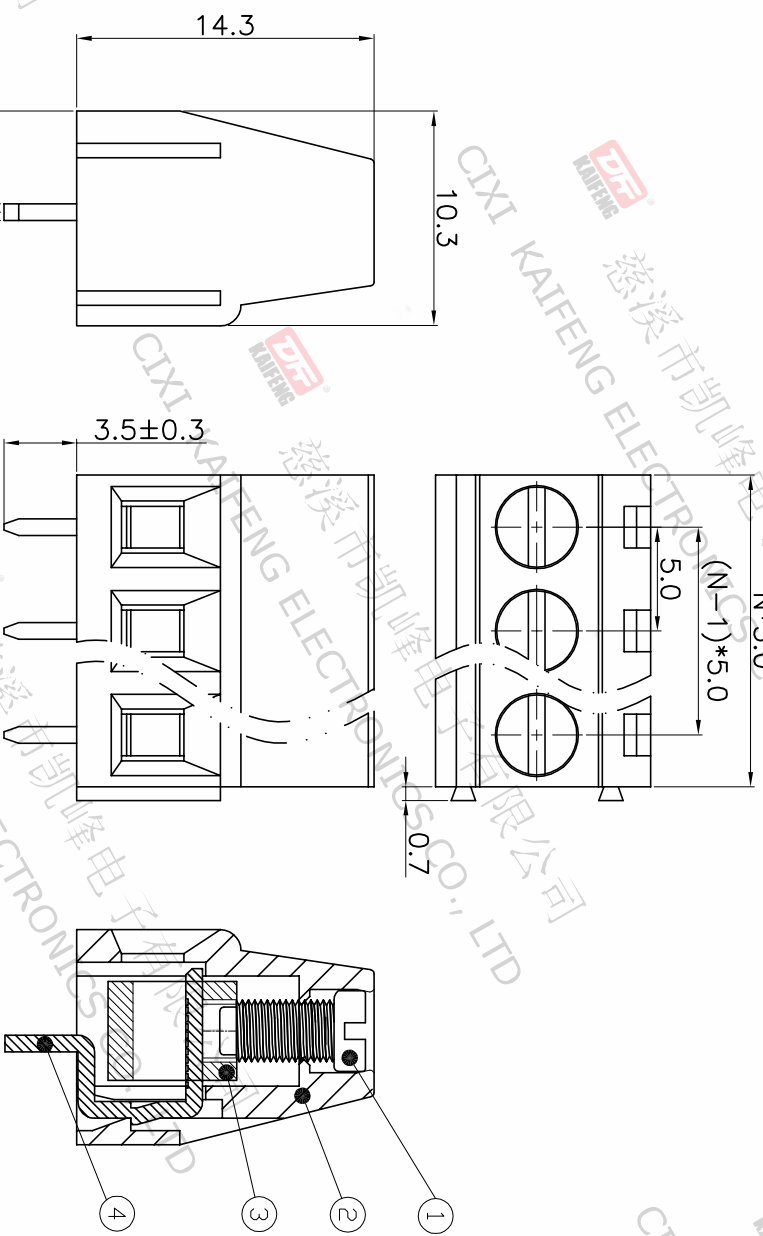
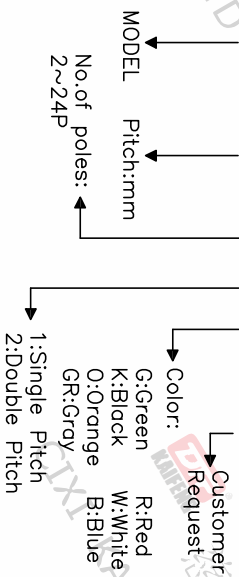
REV.	DESCRIPTION	DATE	DRAFTER	APPROVER
A1	DWG.REL	2020.05.19	DENG	JIN

- Material  
 @Screws : M3.0 steel, Zinc plated,  
 \*-\* slot type  
 @Housing : PA66, UL94V-0  
 @Clamp : Copper alloy, Ni plated  
 @Pin header : Copper alloy, Tin plated

- Electrical  
 UL IEC  
 Rated voltage : 300V 250V  
 Rated current : 10A 18A  
 Contact resistance : 20mΩ(Max)  
 Insulation resistance: 500MΩ/DC500V  
 Withstanding Voltage : AC2000V/1min  
 Wire range: 24-12AWG 2.5mm<sup>2</sup>

- Mechanical  
 Operating temperature: -40°C ~ +105°C  
 Soldering temperature: 250°C ± 5 / 5sec  
 Torque: 0.5N.m (4.43Lb.in)  
 Strip length: 6-7mm
- RoHS compliance

HOW TO ORDER  
 KF128V-5.0-XXP-1 X-XXXXXX



P.C.B. LAYOUT

Pitch range	Nominal dimension range	PROJECTION	UNIT
>0	>0	0.1/10	mm
>6	>30		
~10	~60		
~24	~100		
~30	~150		
±0.15	±0.30	±2°	
±0.20	±0.50		
±0.30	±0.70		
±1.00	±1.30		

**DFE** 慈溪市凯峰电子有限公司  
 CIXI KAIFENG ELECTRONICS CO.,LTD

DRAWING TYPE: CUSTOMER DRAWING  
 SCALE: 1:1 SHEET: 1 OF 1  
 DRAWING NO.: W15000532

TITLE: KF128V-5.0-XXP-1X  
 SHEET SIZE: A4  
 SERIES: KF128