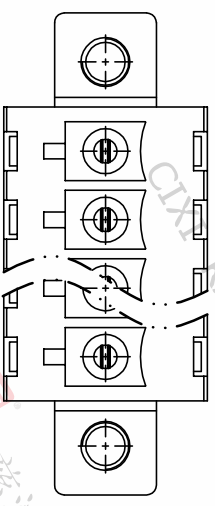
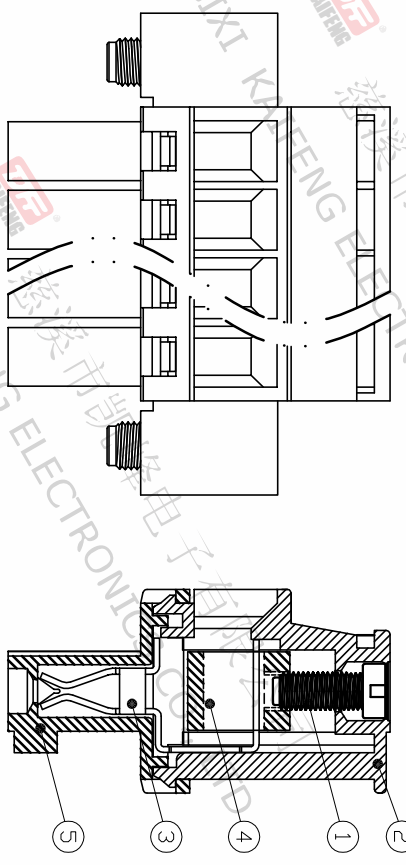
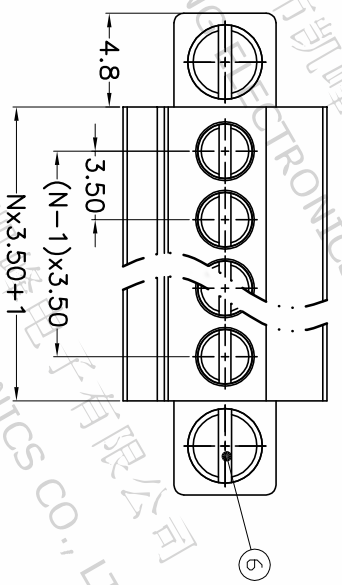
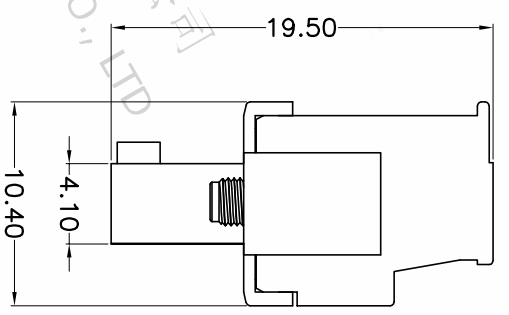
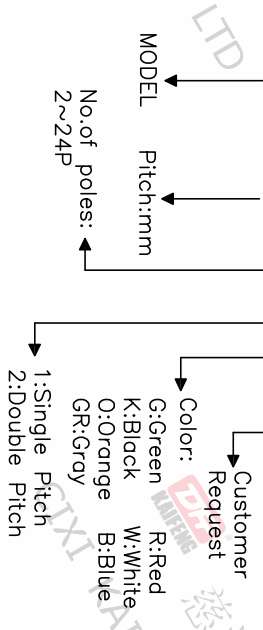


REV.	DESCRIPTION	DATE	DRAFTER	APPROVER
A1	DWG.REL	2020.6.10	ZHANG	JIN

- Material
 - ①Screw : M2.0 steel,Zinc plated, “-” slot type
 - ②Housing : PA66, UL94V-0
 - ③Contact : Copper alloy,Tin plated
 - ④Clamp : Copper alloy, Ni plated
 - ⑤Cover : PA66, UL94V-0
 - ⑥Screw : M2.5 steel,Zinc plated, “-” slot type
- Electrical
 - UL IEC
 - Rated voltage : 300V 250V
 - Rated current : 8A 7A
 - Contact resistance : 20mΩ(Max)
 - Insulation resistance: 500MΩ/DC500V
 - Withstanding Voltage : AC1500V/1min
 - Wire range: 28-16AWG 0.5-1.5mm²

- Mechanical
 - Operating temperature: -40°C~+105°C
 - Soldering temperature:250°C±5/5sec
 - Torque: 0.2N.m (1.77Lb.in)
 - Strip length: 6-7mm
- RoHS compliance

HOW TO ORDER
 KF12EKBM-3.5-XXP-1 X-XXXXX



Pitch range	Nominal dimension range	PROJECTION	UNIT	TITLE
>0	>0	0.1/10	mm	KF12EKBM-3.5-XXP-1X
~6	~30			
~10	~60			
~24	~100			
±0.15	±0.30			
	±0.50			
	±0.70			
	±1.00			
	±1.30			
				±2°

DFE 慈溪市凯峰电子有限公司
 CIXI KAIFENG ELECTRONICS CO.,LTD

DRAWING TYPE: CUSTOMER DRAWING
 SCALE: 1:1 SHEET: 1 OF 1
 DRAWING NO.: W10001172