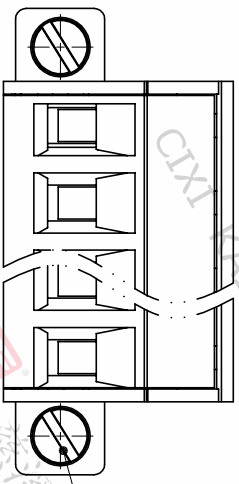
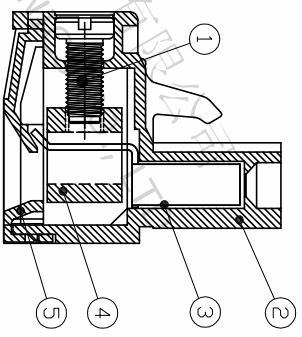
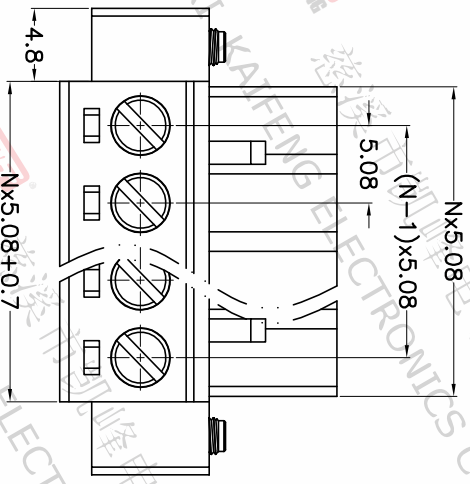
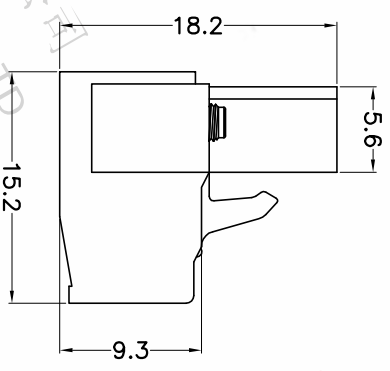
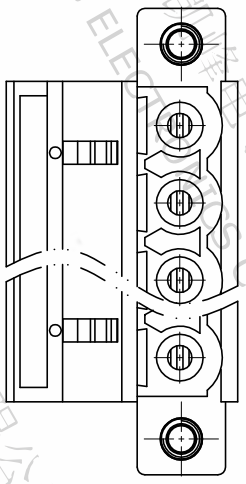


REV.	DESCRIPTION	DATE	DRAFTER	APPROVER
A1	DWG.REL	2020.6.02	ZHANG	JIN



• Material

- ①Screw : M3.0 steel,Zinc plated, *- slot type
- ②Housing : PA66, UL94V-0
- ③Contact : Copper alloy,Tin plated
- ④Clamp : Copper alloy, Ni plated
- ⑤Cover : PA66, UL94V-0
- ⑥Screw : M2.5 steel,Zinc plated, *- slot type

• Electrical

- UL IEC
- Rated voltage : 300V 320V
- Rated current : 15A 20A
- Contact resistance : 20mΩ(Max)

- Insulation resistance: 500MΩ/DC500V
- Withstanding Voltage : AC2000V/1min
- Wire range: 28-12AWG 2.5mm²

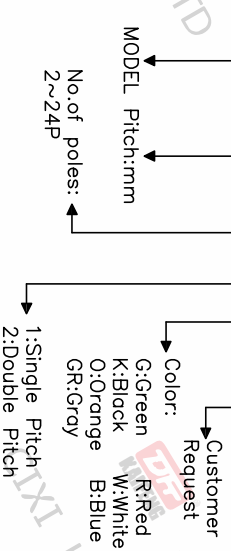
• Mechanical

- Operating temperature: -40℃~+105℃
- Soldering temperature:250℃±5/5sec
- Torque: 0.5N.m (4.43lb.in)
- Strip length: 7-8mm

• RoHS compliance

HOW TO ORDER

KF2222M-5.08-XXP-1 X-XXXXX



Pitch range	Nominal dimension range	PROJECTION
>0	>0	0.1/10
~6	~30	mm
~10	~60	A4
~24	~100	SHEET
~30	~150	1 OF 1
±0.15	±0.30	±2°
±0.20	±0.30	
±0.30	±0.50	
±0.70	±1.00	
±1.30	±1.30	

DRAWING TYPE	CUSTOMER DRAWING
SCALE	1:1
DRAWING NO.	W10001582

PROJECTION	TITLE
UNIT	KF2222M-5.08-XXP-1X
SHEET SIZE	A4
SERIES	KF2222M

DFE 慈溪市凯峰电子有限公司
CIXI KAIFENG ELECTRONICS CO.,LTD