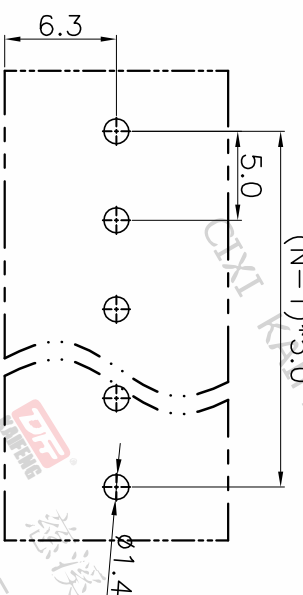
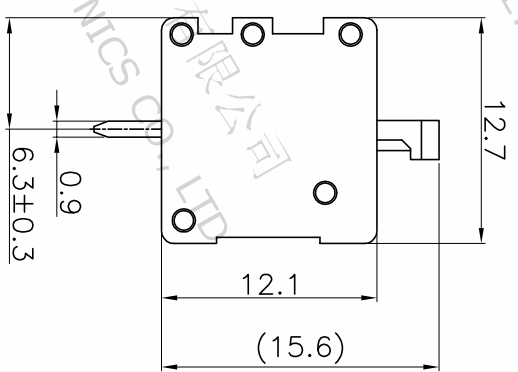
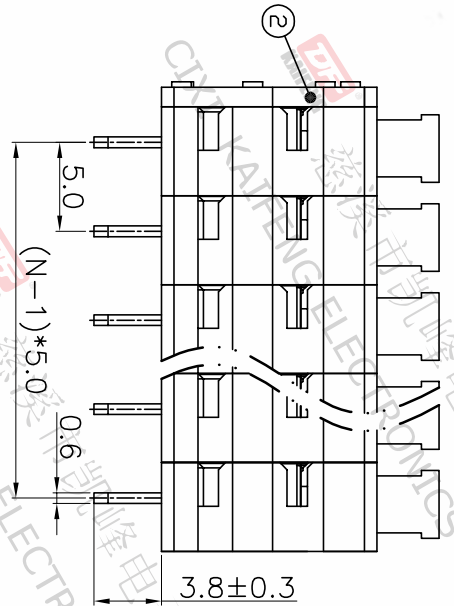
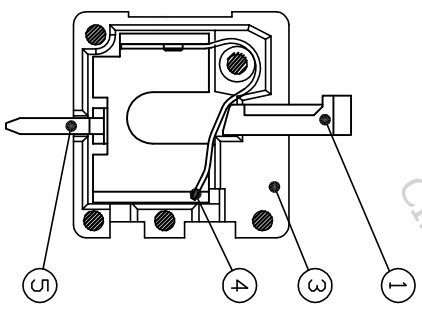
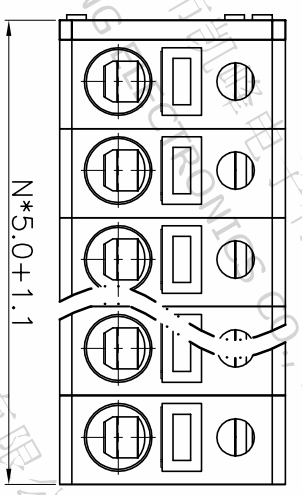


REV.	DESCRIPTION	DATE	DRAFTER	APPROVER
A1	DWG.REL	2020.05.25	DENG	JIN



P.C.B. LAYOUT

Pitch range	Nominal dimension range	PROJECTION
>0	>0	0.1/10
~6	~30	≤
~10	~60	±2°
~24	~100	
±0.15	±0.30	
	±0.50	
	±0.70	
	±1.00	
	±1.30	

DRAWING TYPE	CUSTOMER DRAWING
SCALE	1:1
SHEET	1 OF 1
DRAWING NO.	W11000082

- Material
  - ØButton : PA66, UL94V-0
  - ØCover : PA66, UL94V-0
  - ØHousing : PA66, UL94V-0
  - ØReed : Stainless steel
  - ØPin header : Copper alloy, Tin plated

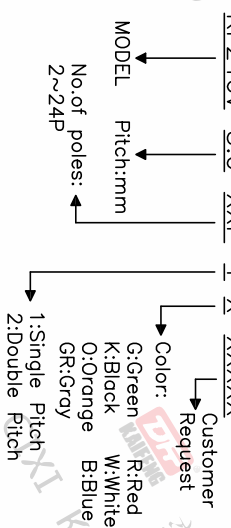
- Electrical
  - UL IEC
  - Rated voltage : 300V 250V
  - Rated current : 8A 10A
  - Contact resistance : 20mΩ(Max)
  - Insulation resistance : 500MΩ/DC500V
  - Withstanding Voltage : AC2000V/1min
  - Wire range : 24-16AWG 1.5mm<sup>2</sup>

- Mechanical
  - Operating temperature: -40°C~+105°C
  - Soldering temperature: 250°C±5/5sec
  - Strip length: 8-9mm

• RoHS compliance

HOW TO ORDER

KF246V-5.0-XXP-1 X-XXXXX



TITLE	SHEET SIZE	SERIES
KF246V-5.0-XXP-1X	A4	KF246

**DF** 慈溪市凯峰电子有限公司  
CIXI KAIFENG ELECTRONICS CO.,LTD