

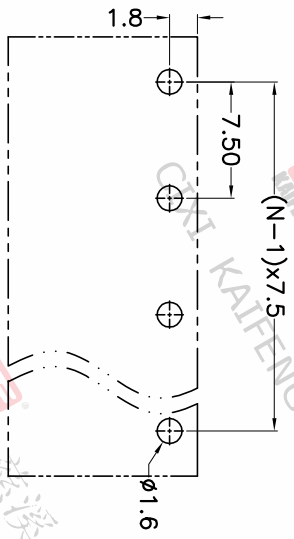
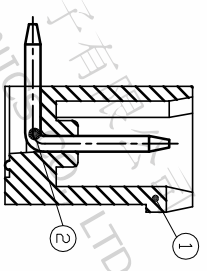
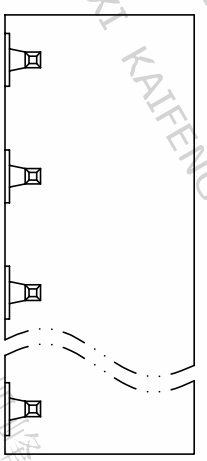
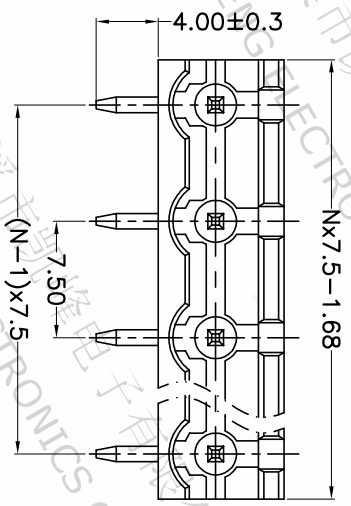
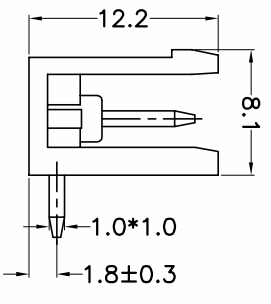
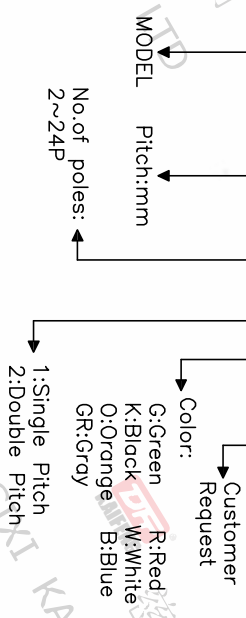
REV.	DESCRIPTION	DATE	DRAFTER	APPROVER
A1	DWG.REL	2020.5.18	ZHANG	JIN

- Material
 @Housing : PA66, UL94V-0
 @Pin header : Copper alloy, Tin plated
- Electrical
 UL IEC
 Rated voltage : 300V 400V
 Rated current : 15A 20A
 Contact resistance : 20mΩ(Max)
 Insulation resistance: 500MΩ/DC500V
 Withstanding Voltage : AC2500V/1min

- Mechanical
 Operating temperature: -40°C ~ +105°C
 Soldering temperature: 250°C ± 5/5sec
- RoHS compliance

HOW TO ORDER

KF2EDGR-X-7.5-XXP-1 X-XXXXX



P.C.B.LAYOUT

Pitch range	Nominal dimension range	PROJECTION	UNIT	TITLE
>0	>6	0.1/10	mm	KF2EDGR-X-7.5-XXP-1X
~	~			
6	>10			
~	~			
10	24			
~	~			
24	30			
~	~			
30	60			
~	~			
60	100			
~	~			
100	150			
~	~			
150	>150			
±2'	±2'			
±0.15	±0.20			
±0.30	±0.30			
±0.50	±0.50			
±0.70	±1.00			
±1.30	±1.30			

DFE 慈溪市凯峰电子有限公司
 CIXI KAIFENG ELECTRONICS CO.,LTD

DRAWING TYPE: CUSTOMER DRAWING
 SCALE: 1:1 SHEET: 1 OF 1
 DRAWING NO.: W10000092