

REV.	DESCRIPTION	DATE	DRAFTER	APPROVER
A1	DWG.REL	2020.5.20	ZHANG	JIN

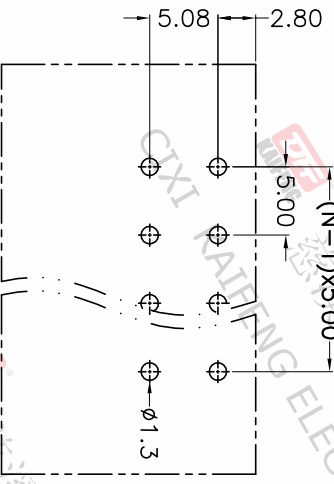
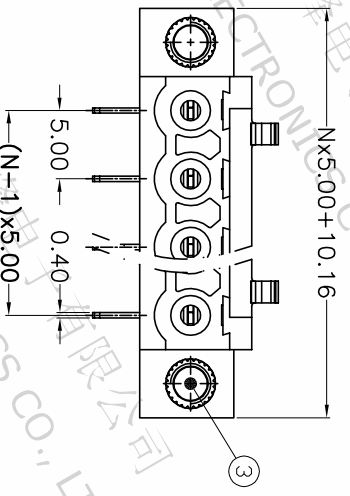
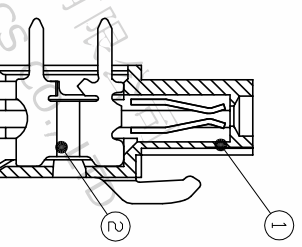
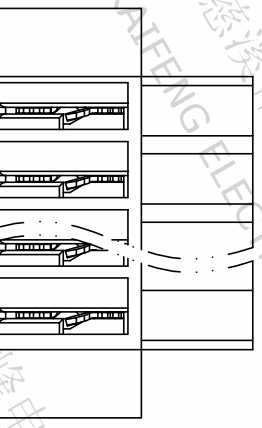
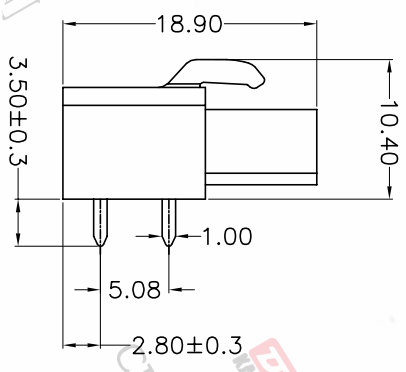
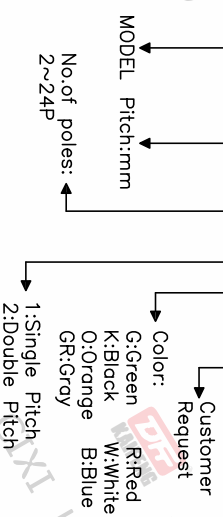
- Material  
 ØHousing : PA66, UL94V-0  
 ØPin header : Copper alloy, Ag plated  
 ØNut : M2.5, Brass

- Electrical  
 UL IEC  
 Rated voltage : 300V 320V  
 Rated current : 15A 20A  
 Contact resistance : 20mΩ(Max)  
 Insulation resistance: 500MΩ/DC500V  
 Withstanding Voltage : AC2000V/1min

- Mechanical  
 Operating temperature: -40℃~+105℃  
 Soldering temperature: 250℃±5/5sec

• RoHS compliance

HOW TO ORDER  
 KF2EFRM-5.0-XXP-1 X-XXXXX



P.C.B. LAYOUT

Pitch range	Nominal dimension range	PROJECTION
>0	>0	0.1/10
~6	~30	≤
~10	~60	±2°
~24	~100	
±0.15	±0.30	
±0.20	±0.50	
±0.30	±0.70	
±1.00	±1.30	

DRAWING TYPE	CUSTOMER DRAWING
SCALE	1:1
DRAWING NO.	W10001912

PROJECTION	UNIT	TITLE
mm	A4	KF2EFRM-5.0-XXP-1X
SHEET SIZE	SERIES	
A4	KF2EFRM	

**DFE** 慈溪市凯峰电子有限公司  
 CIXI KAIFENG ELECTRONICS CO.,LTD