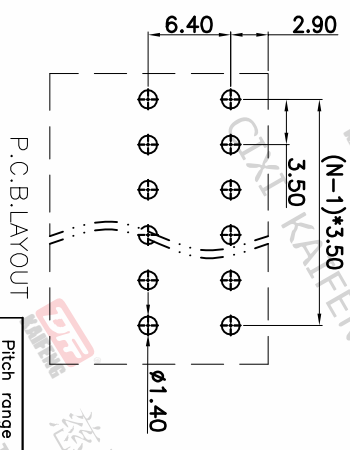
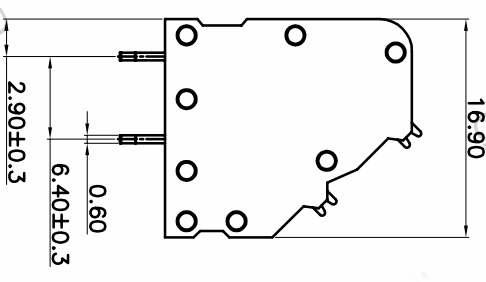
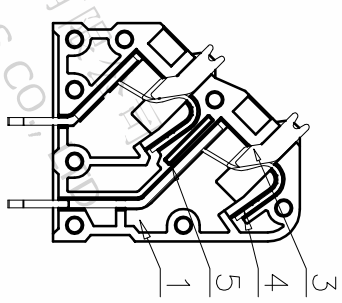
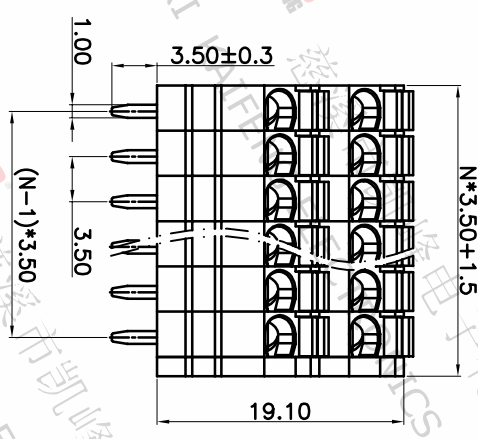
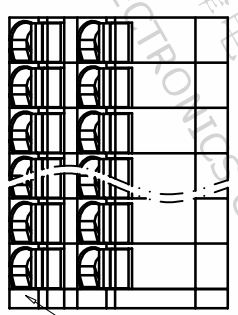
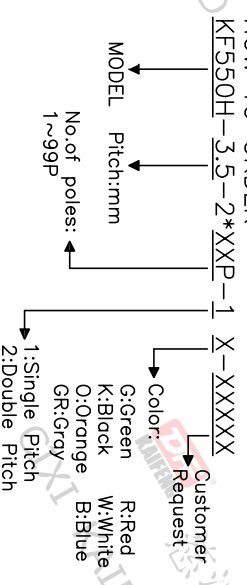


REV.	DESCRIPTION	DATE	DRAFTER	APPROVER
A1	DWG.REL	2020.05.28	DENG	JIN

- Material  
 @Housing : PA66, UL94V-0  
 @Cover : PA66, UL94V-0  
 @Button : PA66, UL94V-0  
 @Reed : Stainless steel  
 @Pin header : Copper alloy, Tin plated

- Electrical UL IEC  
 Rated voltage : 300V 320V  
 Rated current : 9A 14A  
 Contact resistance : 20mΩ(Max)  
 Insulation resistance : 500MΩ/DC500V  
 Withstanding voltage : AC2500V/1min  
 Wire range : 26-16AWG 1.5mm<sup>2</sup>
- Mechanical  
 Operating temperature: -40℃~+105℃  
 Soldering temperature:250℃±5/5sec  
 Strip length: 9-10mm
- RoHS compliance

HOW TO ORDER



Pitch range	Nominal dimension range	0.1/10	±2°
>0	>0	0.1/10	±2°
~6	~30	0.1/10	±2°
~10	~60	0.1/10	±2°
~24	~100	0.1/10	±2°
~30	~150	0.1/10	±2°
±0.15	±0.30	±0.30	±2°
±0.20	±0.50	±0.70	±1.30

DRAWING TYPE	CUSTOMER DRAWING
SCALE	1:1
SHEET	1 OF 1
DRAWING NO.	W15000372

PROJECTION	UNIT	TITLE
UNIT	mm	KF550H-3.5-2*XXP-1X
SHEET SIZE	A4	SERIES KF550

**DFE** 慈溪市凯峰电子有限公司  
 CIXI KAIFENG ELECTRONICS CO.,LTD